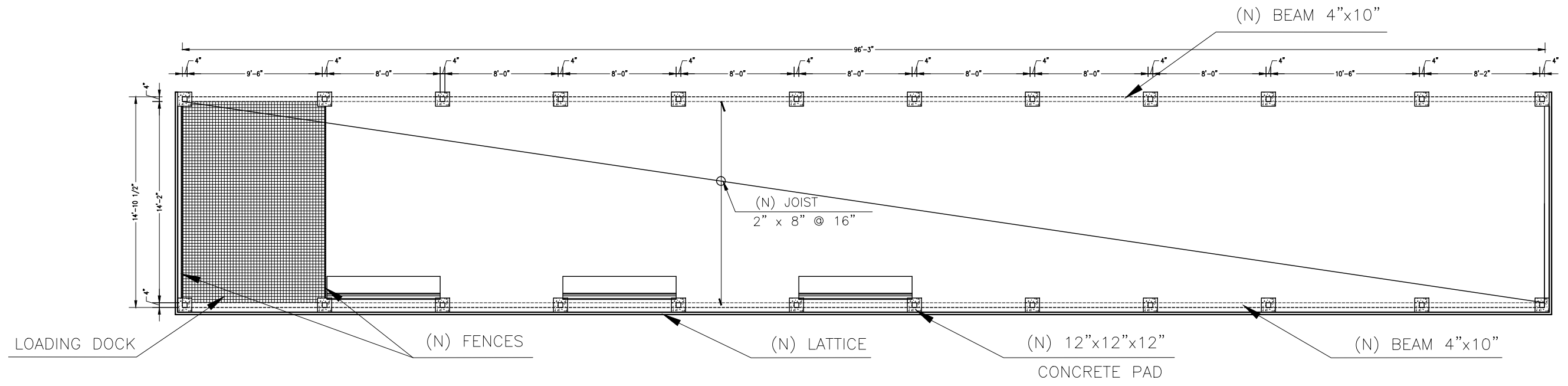


PROPERTY ADDRESS:

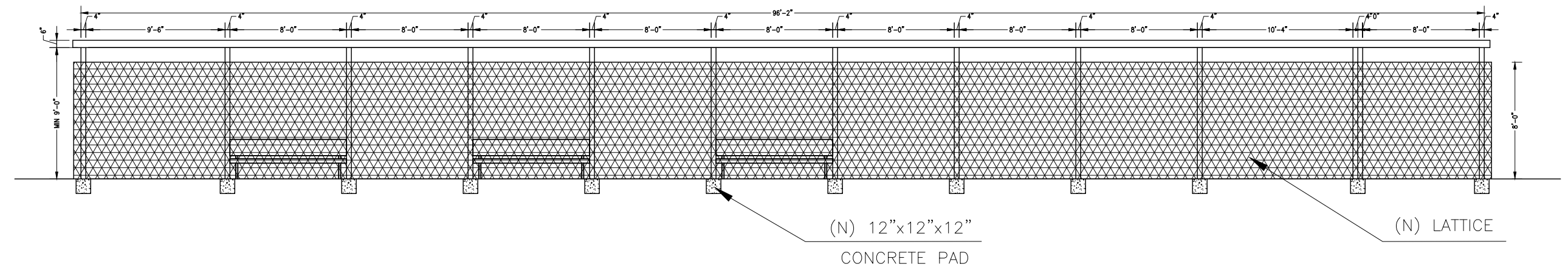
OWNER:

INDEX OF DRAWINGS	
0-0 (1 OF 3)	COVER SHEET
0-1 (2 OF 3)	PLAN & ELEVATION
0-2 (3 OF 3)	SECTION

<i>PROJECT SCOPE</i>		LEGAL PROPERTY DESCRIPTION: APN: - LOT: - TRACT: -- YEAR BUILT: - ZONING CODE: -	OWNER'S NAME:	SHEET TITLE: COVER SHEET	
			OWNER'S ADDRESS: -	SCALE: AS NOTED	0-0
			DATE: 1/ 10/ 2022		

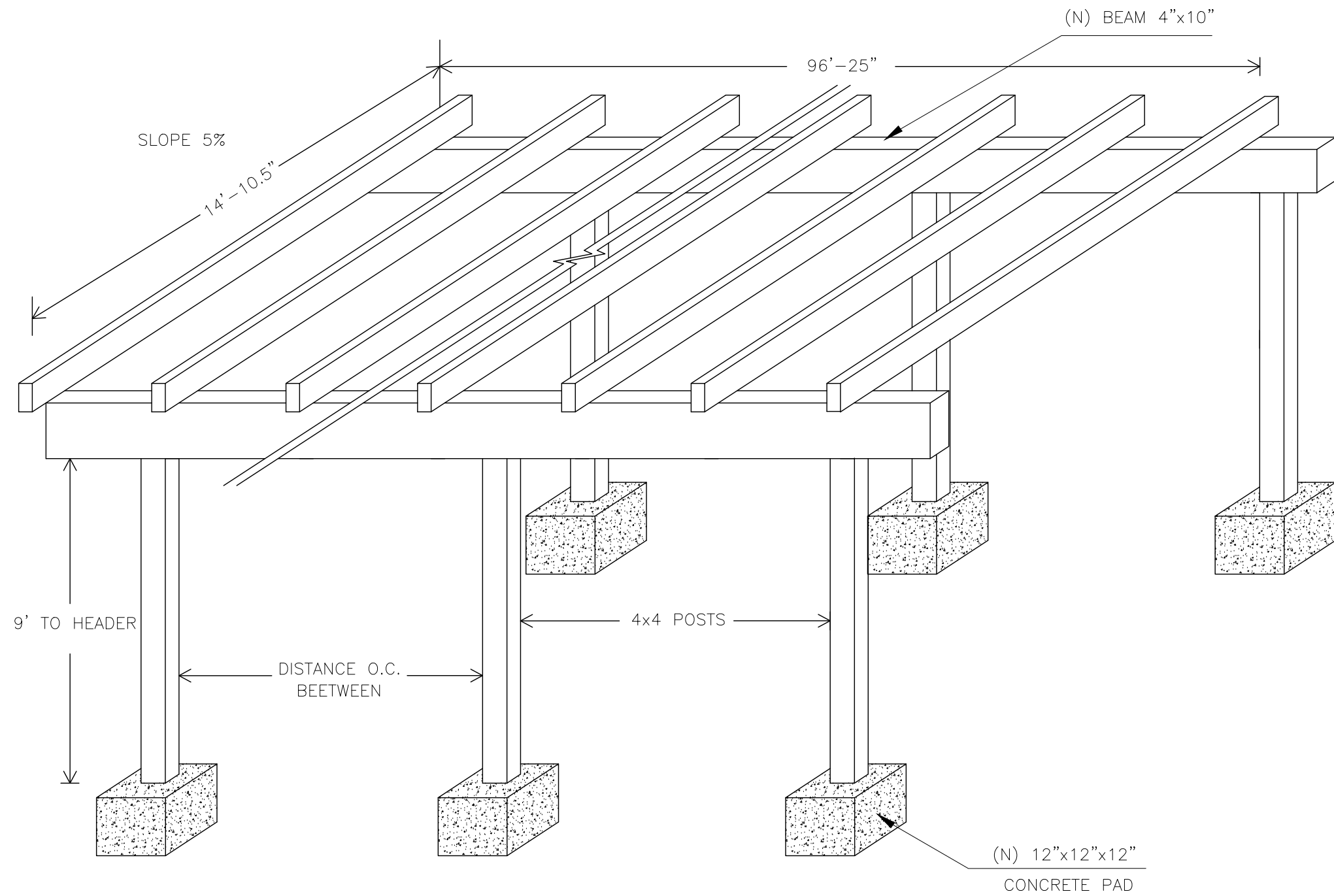


PLAN
SCALE: 1/16" = 1'-0"



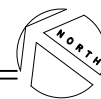
ELEVATION
SCALE: 1/16" = 1'-0"

<i>PROJECT SCOPE</i>	LEGAL PROPERTY DESCRIPTION: APN : - LOT : - TRACT : -	OWNER'S NAME:	SHEET TITLE: PLAN & ELEVATION	
	YEAR BUILT : - ZONING CODE : -	OWNER'S ADDRESS: -	SCALE: AS NOTED	0-1
			DATE: 1/ 10/ 2022	



SECTION

SCALE: N.T.S



PROJECT SCOPE

LEGAL PROPERTY DESCRIPTION:
 APN : -
 LOT: -
 TRACT: -
 YEAR BUILT: -
 ZONING CODE: -

OWNER'S NAME:

OWNER'S ADDRESS:

SHEET TITLE:
SECTION

SCALE: AS NOTED

DATE:
1/ 10/ 2022

0-2